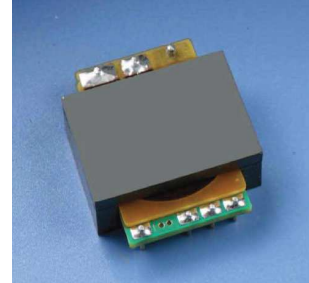


## PLANAR TRANSFORMERS

## PER32 500W SERIES

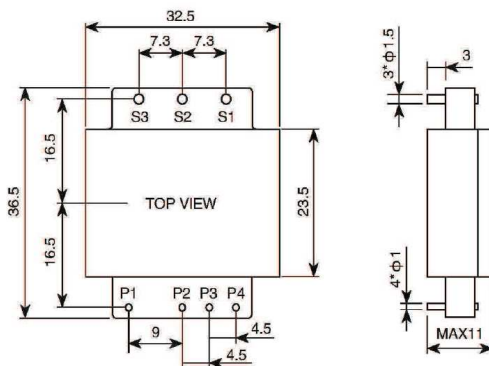
- Use ER32 planar magnetic core, multilayer PCB technique
- Use for AC/DC module power, max output power 500W
- Working frequency: 200K - 300K
- Outline dimension: 36.5 x 32.5 x 11 mm
- Withstand voltage between secondary coils: 3KVDC
- Working temperature range: -40°C - +85°C
- Can offer secondary power winding
- Weight: ≤42.5g



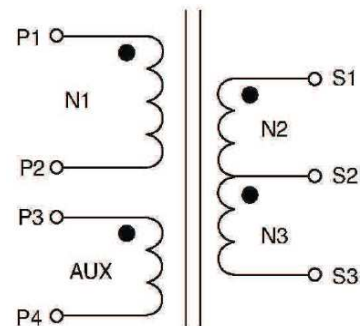
### Electrical Specifications @ 25°C

| Part Number  | Turn Ratio | Primary winding<br>N1(P1-P2) |                     |                              | SEC.<br>(N1-N2)           |
|--------------|------------|------------------------------|---------------------|------------------------------|---------------------------|
|              |            | Inductance<br>μH (min)       | Leakage<br>μH (max) | DC<br>Resistance<br>mΩ (max) | DC Resistance<br>mΩ (max) |
|              | N1:N2:AUX  |                              |                     |                              |                           |
| PER32T312011 | 12:(1+1):1 | 480                          | 1.5                 | 75                           | 0.46+0.46                 |
| PER32T312021 | 12:(2+2):1 | 480                          | 1.5                 | 75                           | 1+1                       |
| PER32T307021 | 7:(2+2):N  | 250                          | 5                   | 8.6                          | 1.3+1.3                   |

Dimensions (unit: mm)



Schematic



**PRODUCT P/N: PER32T3XXXXX**

**Rev 01 1/10/17**

**SOUTHERN CALIFORNIA OFFICE:**

15991 Red Hill Avenue, Suite #102,  
Tustin, California 92780 USA

Tel:+1-714-460-0718 Fax:+1-714-460-0728

<http://www.palnova.com>

**NORTHERN CALIFORNIA OFFICE:**

500 Yosemite Drive  
Milpitas, CA. 95035 USA

Tel:+1-408-855-8866 Fax:+1-408-855-8868