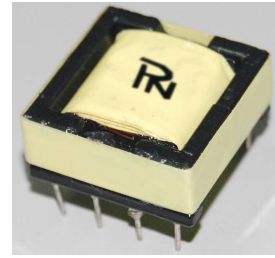


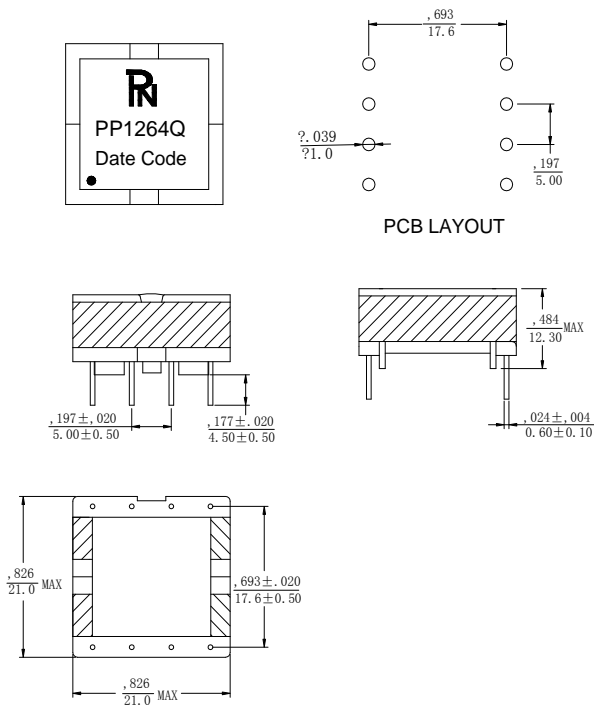
- Designed to meet UL 60950-1
- Core Material Ferrite
- Isolation 3000 Vrms
- Recommended solder profile: Wave soldering
- ROHS Compliance Product
- Operating Temperature range: 0°C TO +70°C



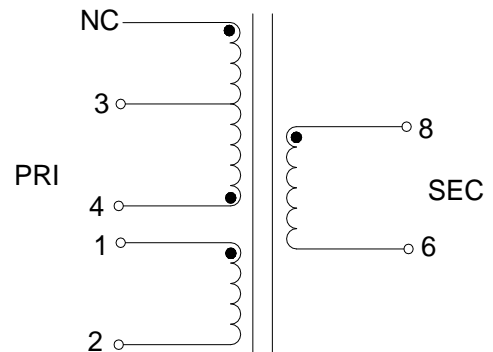
Electrical Specifications @ 25°C

P/N	T/R (±2%)	OCL@10KHz 0.1V (mH ±10%)	LL@100KHz 0.1V (μH MAX)	D.C.R (Ω MAX)	Hi-pot (Vrms)
		(3-4) : (1-2):(8-6)	(3-4)	(3-4),(tie2+6+8)	(3-4)
PP1264Q	8.07:1:1.6	1.524	45.7	1.6	3000

Dimensions (unit: inch/mm)



Schematics



TUSTIN OFFICE:

15991 Red Hill Avenue, Suite #102, Tustin,
California 92780 USA

Tel:+1-714-460-0718 Fax:+1-714-460-0728

<http://www.palnova.com>

SANTA CLARA OFFICE:

3000 Kenneth Street, Santa Clara,
California 95054 USA

Tel:+1-408-855-8866 Fax:+1-408-855-8868