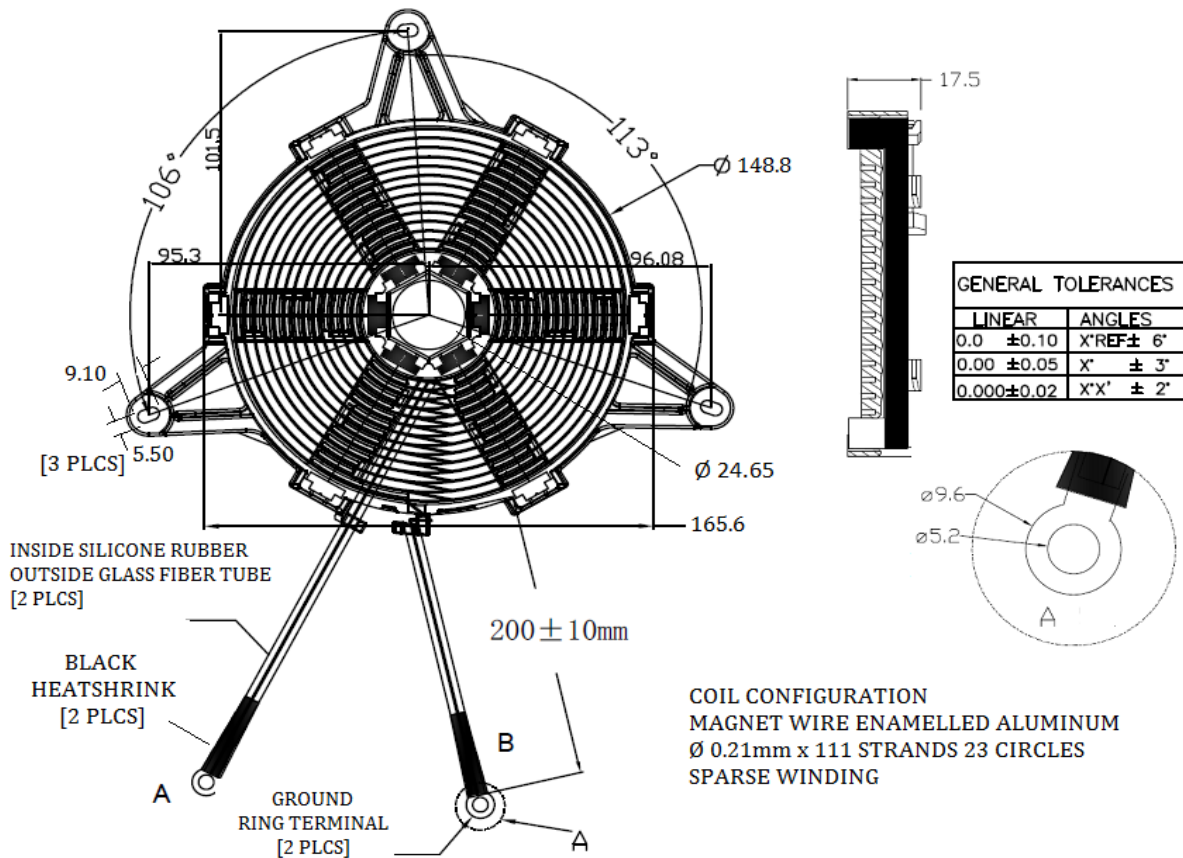


- Induction Coil
- Sparse Winding Double Layer Coil
- Rated Power: 115V, 1200W
- Operating Temperature range: -55°C TO +180°C

Electrical Specifications @ 25°C				
P/N	OCL@1KHz 1V (uH ±5uH)	Q @ 1KHz (A - B)	D.C.R (mΩ MAX)	RATED CURRENT (A MAX)
PTT02-2184	70.0	≥6.1	69	7.5
WITHSTAND VOLTAGE	HEAT SHRINKABLE CASING	600VAC	Test Condition: 50Hz/5mA/60S	
WITHSTAND VOLTAGE	WIRE TO MAGNET STRIP	1200VAC	Test Condition: 50Hz/5mA/60S	

Dimensions (unit: mm) Drawing not to scale



PRODUCT P/N: PTT02-2184

REV: 00-14/05/15

TUSTIN OFFICE:

15991 Red Hill Avenue, Suite #102, Tustin, California 92780 USA

Tel:+1-714-460-0718 Fax:+1-714-460-0728

<http://www.palnova.com>

Milpitas OFFICE:

500 Yosemite Drive, Milpitas, CA. 95035 USA

Tel:+1-408-855-8866 Fax:+1-408-855-8868